



4409.25lb
Rated Load
Capacity



6.04mph
Max. Safety
Driving Speed



118.11in
Fork Lifting Height



139.76in
Min. Stacking
Aisle Width

VNE20

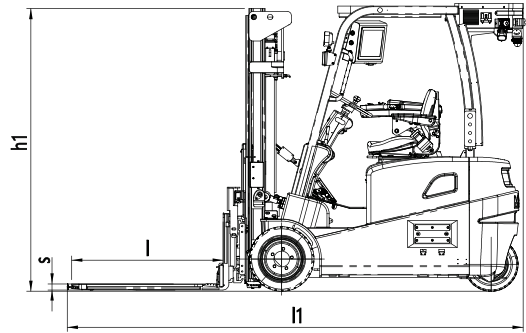
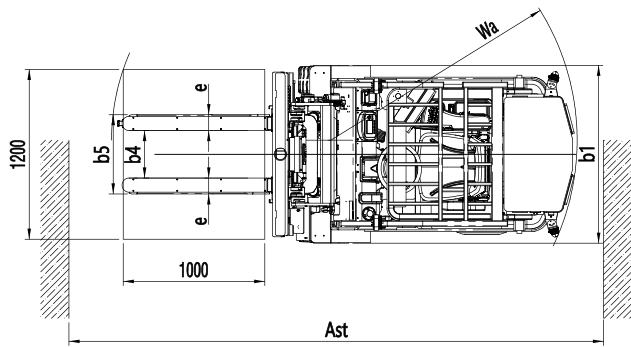
COUNTERBALANCE STACKER AGV



Counterbalanced forklift AGV is based on 3D SLAM navigation+3D laser adaptive sensing, which can make the project import fast and the forking repeatability high;The vehicle is capable to drive faster and overcome steeper routes. Narrow body design, supporting fork length, outer width and outrigger customization according to the scene, with great flexibility and stronger adaptability.



VNE20



TECHNICAL SPECIFICATIONS

Body Weight	3350kg (7385.49lb)	Fork Lifting Height	3000mm (118.11in)
Vehicle Dimensions (l1/b1/h1)	3222x1250x2035mm (126.85x49.21x80.12in)	Rated Load Capacity	2000kg (4409.25lb)
Fork Dimensions (l/e/s)	1040x100x40mm (40.94x3.94x1.57in)	Load Center Distance	500mm (19.69in)
Optional Fork Dimensions Series	890/1190/1340/1490/1640/1790mm (35.04/46.85/52.76/58.66/64.57/70.47in)	Min. Turning Radius	1835mm (72.24in)
Fork Outer Width	560/680mm (22.05/26.77in)	Stacking Accuracy	±10mm/±0.5° (±0.39in/±0.5°)
Fork Inner Width	336/456mm (13.23/17.95in)	Operation Mode	Automatic / Manual Seated
Positioning Method	3D SLAM navigation	Battery Type	Lithium iron phosphate battery
Perception Method	3D Laser scanner	Voltage/Battery Capacity	48V/400Ah
Goods Pick-up Self-adaptability	±100mm/±10° (±3.94in/±10°)	Charging Mode	Manual/ Automatic Charging

MOTION PERFORMANCE

Straight Forward Speed (Full-Load/Empty-Load)	2.7m/s, 2.7m/s (6.04mph, 6.04mph)	Backward Turning Speed (Full-Load/Empty-Load)	0.6m/s, 0.6m/s (1.34mph, 1.34mph)
Straight Backward Speed (Full-Load/Empty-Load)	1.0m/s, 1.0m/s (2.24mph, 2.24mph)	Lifting Up Speed (Full-Load/Empty-Load)	260mm/s, 340mm/s (0.58mph, 0.76mph)
Forward Turning Speed (Full-Load/Empty-Load)	1.0m/s, 1.0m/s (2.24mph, 2.24mph)	Lifting Down Speed (Full-Load/Empty-Load)	300mm/s, 200mm/s (0.67mph, 0.45mph)

ENVIRONMENTAL REQUIREMENT

Min. Stacking Aisle Width (Pallet Size L*W:1200*1000mm, Across Forks On Length)	3560mm (140.16in)	Ground Flatness	±5mm/m ²
Min. Turning Aisle Width (Pallet Size L*W:1200*1000mm, Across Forks On Length)	2435mm (95.87in)	Max. Climbing Capability (Full-Load/Empty-Load)	15%, 15% (8.5°, 8.5°)
Working Temperature	-5°C ~ 40°C	Max. Groove Width	50mm (1.97in)
Working Humidity	20% ~ 95%	Max. Step Height	30mm (1.18in)

SAFETY PROTECTION

Front	3D Laser Scanner Protection + Anti-Collision Bumper	Side	3D Laser Scanner Protection + Anti-Collision Bumper
Rear	Laser Scanner Protection + Contact Sensor	Other	Emergency Stop Button + Acousto-Optic Alarm
Top	3D Laser Scanner Protection		

* Customizable fork length, fork outer width, and supporting legs outer width; come with duplex mast option, the lifting height can reach 3000mm, 3500mm, 4000mm, and 4500mm. With triplex mast option, the lifting height can reach 4500mm (body weight varies slightly with different mast selections); Available fork type options: Side shifter and adjustable forks; Other available options: 5G communication, battery heating, battery trolley for battery swap, safety anti-collision bumper, loads over-height detection, UWB safety system, barcode scanner, dash camera, RFID reader, etc. Maximum load capacity varies with lifting height, please refer to load capacity curve.

Due to iterative upgrades on products, some of the specifications being listed above and the appearance of the products may not be able to change in time. For details, please contact our salespersons.