



3086.47lb
Rated Load
Capacity



2.91mph
Max. Safety
Driving Speed



118.11in
Fork Lifting Height



82.68in
Min. Stacking
Aisle Width

VNSL14(VL)-07

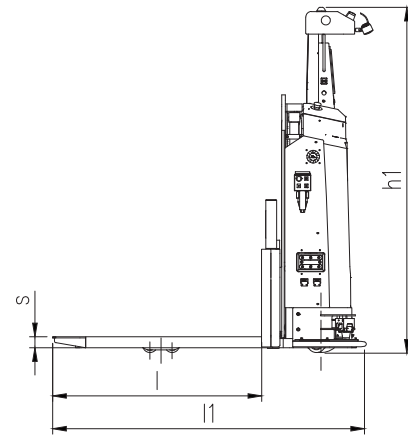
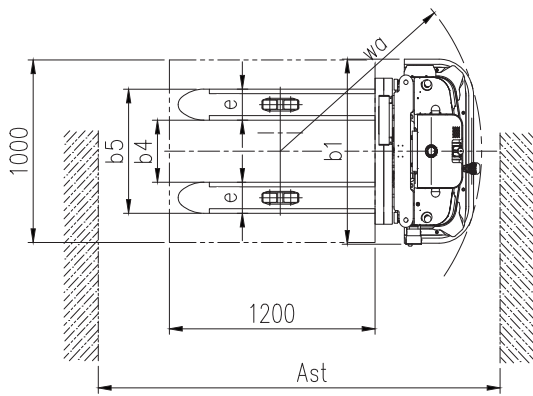
SLIM PALLET STACKER AGV



By using 3D SLAM navigation and 3D Laser perception module on narrow body pallet stacker AGV, the project implementation period is shortened and the AGV has high reliability; The AGV has narrow body design with customizable forks and supporting legs based on different scenarios, which provides great flexibility, and strong adaptability.



VNSL14(VL)-07



TECHNICAL SPECIFICATIONS

Body Weight	1000kg (2204.62lb)	Fork Lifting Height	1600mm (62.99in)
Vehicle Dimensions (l1/b1/h1)	1642x994x2150mm (64.65x39.13x84.65in)	Rated Load Capacity	1400kg (3086.47lb)
Fork Dimensions (l/e/s)	1150x180x60mm (45.28x7.09x2.36in)	Load Center Distance	600mm (23.62in)
Optional Fork Dimensions Series	1250/1350/1450mm (49.21/53.1/57.09in)	Min.Turning Radius	1173mm (46.18in)
Fork Outer Width	560/680mm (22.05/26.77in)	Stacking Accuracy	±10mm/±0.5° (±0.39in/±0.5°)
Fork Inner Width	200/320mm (7.87/12.60in)	Operation Mode	Automatic / Manual Handheld
Positioning Method	3D SLAM navigation	Battery Type	Lithium iron phosphate
Perception Method	3D Laser scanner	Voltage/Battery Capacity	24V/180Ah
Goods Pick-up Self-adaptability	±100mm/±10° (±3.94in/±10°)	Charging Mode	Manual/ Automatic Charging

MOTION PERFORMANCE

Straight Forward Speed (Full-Load/Empty-Load)	1.0m/s, 1.3m/s (2.24mph, 2.91mph)	Backward Turning Speed (Full-Load/Empty-Load)	0.3m/s, 0.6m/s (0.67mph, 1.34mph)
Straight Backward Speed (Full-Load/Empty-Load)	0.6m/s, 0.6m/s (1.34mph, 1.34mph)	Lifting Up Speed (Full-Load/Empty-Load)	115mm/s, 175mm/s (0.26mph, 0.39mph)
Forward Turning Speed (Full-Load/Empty-Load)	0.3m/s, 0.6m/s (0.67mph, 1.34mph)	Lifting Down Speed (Full-Load/Empty-Load)	160mm/s, 125mm/s (0.36mph, 0.28mph)

ENVIRONMENTAL REQUIREMENT

Min. Stacking Aisle Width (Pallet Size L*W:1200*1000mm, Across Forks On Width)	2200mm (86.61in)	Ground Flatness	±5mm/m ² (±0.20in/m ²)
Min. Turning Aisle Width (Pallet Size L*W:1200*1000mm, Across Forks On Width)	1800mm (70.87in)	Max. Climbing Ability (Full-Load/Empty-load)	5%, 5% (3°, 3°)
Working Temperature	-5°C~40°C	Max. Groove Width	30mm (1.18in)
Working Humidity	20%~95%	Max. Step Height	10mm (0.39in)

SAFETY PROTECTION

Front	Laser Scanner Protection + Anti-Collision Bumper	Side	Laser Scanner Protection + Anti-Collision Bumper
Rear	Laser Scanner Protection + Non-Contact Sensor	Other	Emergency Stop Button + Acousto-Optic Alarm
Top	Photoelectric Sensor + Ultrasound Scanner		

* Customizable fork length, fork outer width, and supporting legs outer width; With duplex mast option, the lifting height can reach 1600mm, 2500mm, and 3000mm (body weight varies slightly with different mast selections); Other available options: 5G communication, battery heating, safety anti-collision bumper, loads over height detection, UWB safety system, barcode scanner, dash camera, RFID reader, etc.

Maximum load capacity varies with lifting height, please refer to load capacity curve.

Due to iterative upgrades on products, some of the specifications being listed above and the appearance of the products may not be able to change in time. For details, please contact our salespersons.