



LUMBER DUMPER

INNOVATE. CREATE. **ADVANCE.**

allianceautomation.com

1100 John Brown Rd.
Van Wert, Ohio 45891

419-238-2520

5,500 BOARDS PER HOUR

A Perfect Partner

The Lumber Dumper is designed to integrate seamlessly within the Urban Sawmill and Badger Sawmill Series workflows, making a comprehensive solution for your board sorting needs.

Specifications

Board Sizes:

up to 63"

Dimensions:

387.7" L x 142.5" W x 182" H

Weight:

5,000 lbs.

Height:

Minimum 14' 6" clearance

Max Payload:

1,300 lbs. with bin

Electrical Requirements:

480/3PH

Hydraulic Requirements:

HPU included

1200 PSI

4.5 GPM

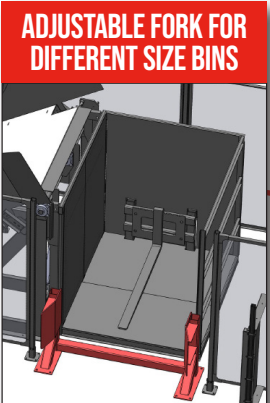
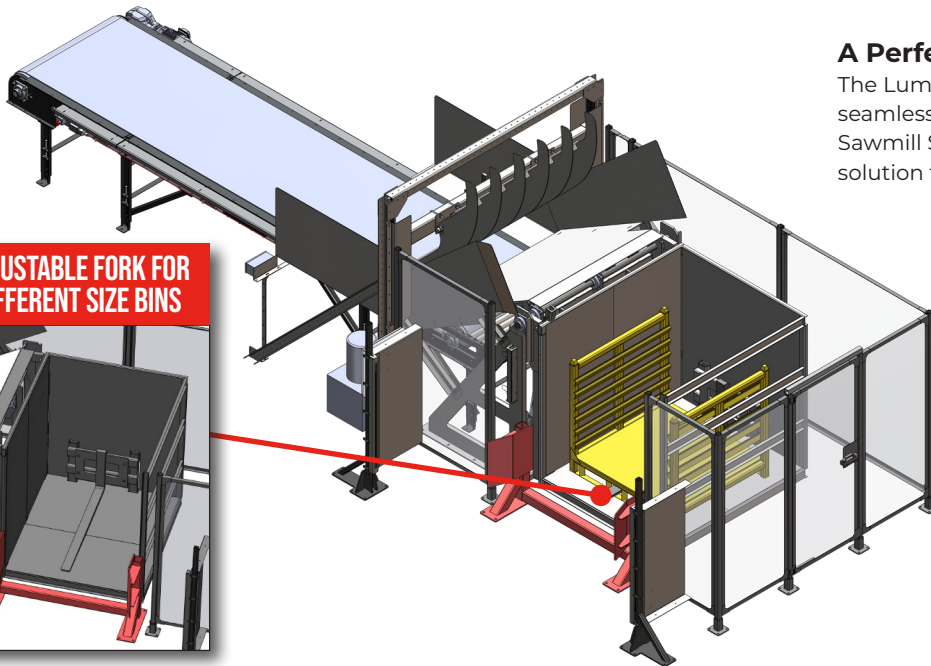
CONTACT US TO LEARN MORE

419-238-2520

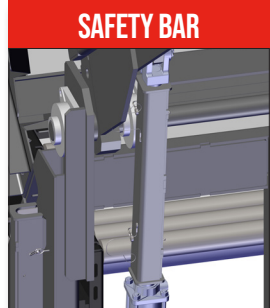
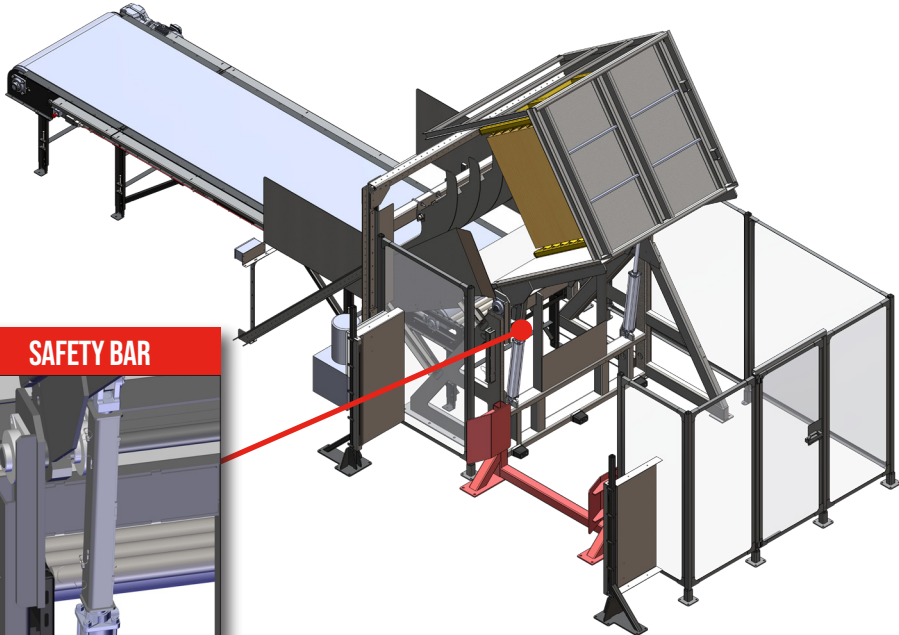
info@allianceautomation.com

ALLIANCE SUPPORT

- ▶ Designed to fit your facility
- ▶ Installation and training included
- ▶ One year warranty
- ▶ Largest installation and service teams in the industry
- ▶ Replacement parts in stock



ADJUSTABLE FORK FOR DIFFERENT SIZE BINS



SAFETY BAR

FOR SAFE, EASY CLEANING AND MAINTENANCE

CUSTOM DESIGNS AVAILABLE TO FIT YOUR NEEDS