

AUTOMATE YOUR INTRALOGISTICS



**4409.25lb**  
Rated Load Capacity



**3.13mph**  
Max. Safety Driving Speed



**4.92in**  
Max. Lifting Height



**82.68in**  
Min. Stacking Aisle Width

## VNST20(L)-04 SLIM PALLET MOVER FORKLIFT AGV

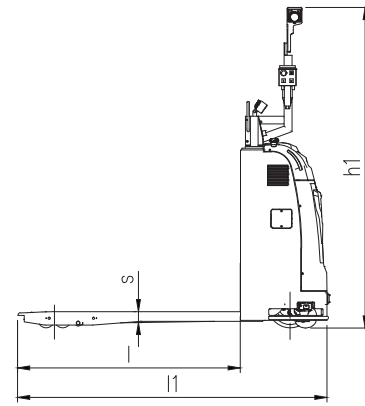
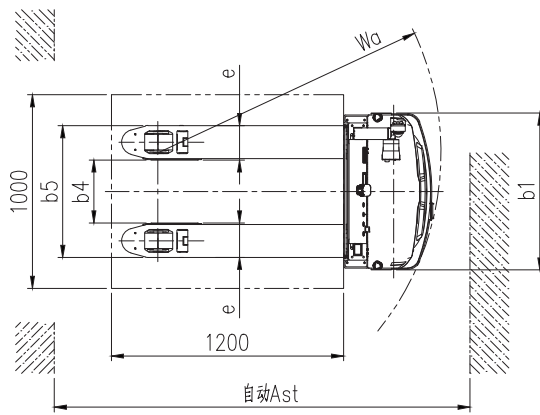
BY using 3D SLAM navigation +3D laser adaptive sensing, the project import is fast and the cross fetch repeat precision is high. The vehicle weight is light, can support cross-floor work; The length and width of the fork can be customized according to the scene, making the vehicle more flexible and adaptable.



VisionNav  
Robotics

419.238.2520  
[www.allianceautomation.com](http://www.allianceautomation.com)

# VNST20(L)-04



## TECHNICAL SPECIFICATIONS

Body Weight	430kg (947.99lb)	Max. Lifting Height	125mm (4.92in)
Vehicle Dimensions (l1/b1/h1)	1600x815x1650mm (62.99x32.09x64.96in)	Rated Load Capacity	2000kg (4409.25lb)
Fork Dimensions (l/e/s)	1150x177x56mm (45.28x6.97x2.20in)	Load Center Distance	600mm (23.62in)
Fork Outer Width	560/680mm (22.05/26.77in)	Min. Turning Radius	1456mm (57.32in)
Fork Inner Width	206/326mm (8.11/12.83in)	Stacking Accuracy	±10mm/±0.5° (±0.39in/±0.5°)
Positioning Method	3D SLAM navigation	Operation Mode	Automatic / Stand up Manual
Perception Method	3D Laser scanner	Battery Type	Lithiumiron phosphate battery
Goods Drop-off Self-adaptability	±10mm/±0.5° (±0.39in/±0.5°)	Voltage/Battery Capacity	48V/40Ah
Goods Pick-up Self-adaptability	±100mm/±10° (±3.94in/±10°)	Charging Mode	Manual/ Automatic Charging

## MOTION PERFORMANCE

Straight Forward Speed (Full-Load/Empty-Load)	1.4m/s, 1.8m/s (3.13mph, 4.03mph)	Backward Turning Speed (Full-Load/Empty-Load)	0.3m/s, 0.6m/s (0.67mph, 1.34mph)
Straight Backward Speed (Full-Load/Empty-Load)	0.6m/s, 0.6m/s (1.34mph, 1.34mph)	Lifting Up Speed (Full-Load/Empty-Load)	22mm/s, 25mm/s (0.05mph, 0.06mph)
Forward Turning Speed (Full-Load/Empty-Load)	0.3m/s, 0.6m/s (0.67mph, 1.34mph)	Lifting Down Speed (Full-Load/Empty-Load)	72mm/s, 35mm/s (0.16mph, 0.08mph)

## ENVIRONMENTAL REQUIREMENT

Min. Stacking Aisle Width (Pallet Size L*W:1200*800mm, Across Forks On Width)	2100mm (82.68in)	Ground Flatness	±5mm/m <sup>2</sup> (±0.20in/m <sup>2</sup> )
Min. Turning Aisle Width (Pallet Size L*W:1200*800mm, Across Forks On Width)	2000mm (78.74in)	Max. Climbing Ability (Full-Load/Empty-load)	5%, 5% (3°, 3°)
Working Temperature	-5°C~45°C	Max. Groove Width	30mm (1.18in)
Working Humidity	20%~95%	Max. Step Height	10mm (0.39in)

## SAFETY PROTECTION

Front	Laser Scanner Stereo Protection	Side	Laser Scanner Stereo Protection +Safety contact strip (Customizable 2D Scanning Laser Protection)
Rear	Laser Scanner Stereo Protection +Non-Contact Sensor	Other	Emergency Stop Button + Acousto-Optic Alarm
Top	Laser Scanner Stereo Protection		

\* Customizable fork length, fork outer width, battery heating, barcode scanner, driving recorder, RFID reader, etc.

Due to iterative upgrades on products, some of the specifications being listed above and the appearance of the products may not be able to change in time. For details, please contact our salespersons.